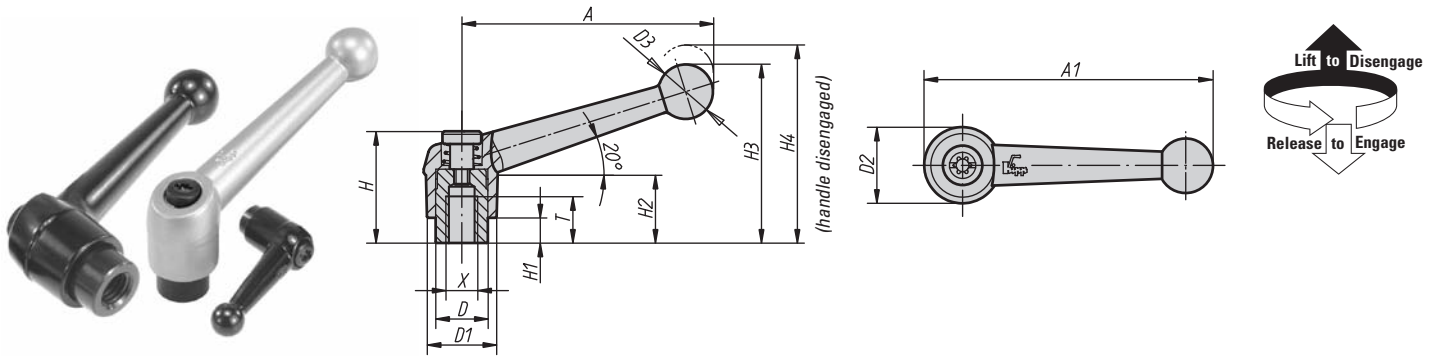


ADJUSTABLE CLAMP LEVERS

Zinc Die Cast | Female Threads | Steel Inserts | Inch and Metric



Pulling up on the handle disengages it from the spline and allows it to rotate freely for adjustment. Releasing the handle engages it for tightening or adjusting. The handle is made from zinc die cast and powder coated in either black satin or silver metallic finish. Internal parts are made from steel with black oxide finish.

INCH

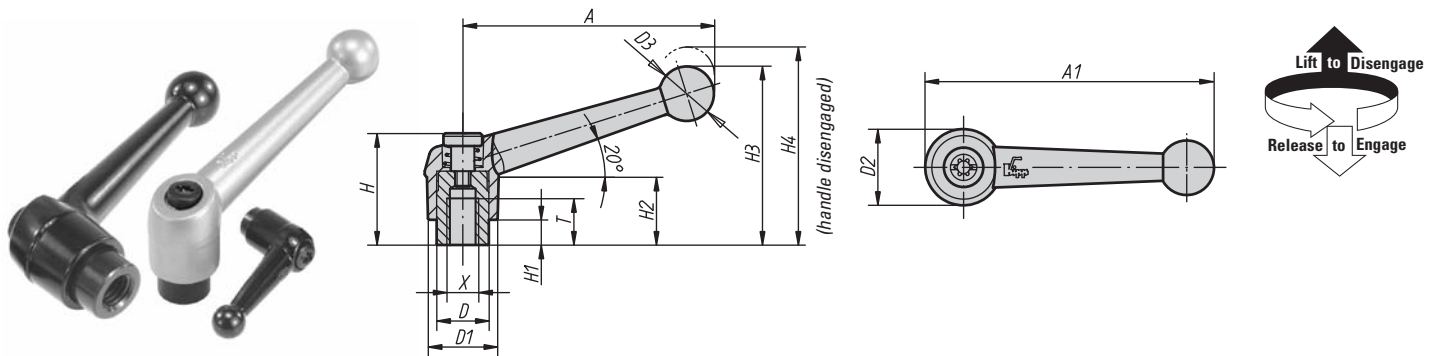
Part # Black	Part # Metallic	X Thread	T	D	D1	D2	D3	H	H1	H2	H3	H4	A	A1	No. Of Teeth
06410-1AE1	06410-1AE3	8-32	.35	.39	.51	.55	.41	.96	.16	.59	1.28	1.40	1.54	1.81	16
06410-1A01	06410-1A03	10-24	.35	.39	.51	.55	.41	.96	.16	.59	1.28	1.40	1.54	1.81	16
06410-1A21	06410-1A23	1/4-20	.35	.39	.51	.55	.41	.96	.16	.59	1.28	1.40	1.54	1.81	16
06410-2A21	06410-2A23	1/4-20	.47	.53	.71	.73	.61	1.12	.26	.65	1.79	1.95	2.52	2.87	20
06410-2A31	06410-2A33	5/16-18	.47	.53	.71	.73	.61	1.12	.26	.65	1.79	1.95	2.52	2.87	20
06410-3A31	06410-3A33	5/16-18	.55	.63	.83	.87	.67	1.46	.39	.91	2.26	2.42	3.11	3.54	22
06410-3A41	06410-3A43	3/8-16	.55	.63	.83	.87	.67	1.46	.39	.91	2.26	2.42	3.11	3.54	22
06410-4A41	06410-4A43	3/8-16	.67	.75	.98	1.02	.75	1.67	.39	1.02	2.64	2.83	3.74	4.25	24
06410-4A51	06410-4A53	1/2-13	.67	.75	.98	1.02	.75	1.67	.39	1.02	2.64	2.83	3.74	4.25	24
06410-5A51	06410-5A53	1/2-13	.91	.91	1.18	1.22	.87	1.93	.47	1.26	3.11	3.31	4.33	4.96	26
06410-5A61	06410-5A63	5/8-11	.91	.91	1.18	1.22	.87	1.93	.47	1.26	3.11	3.31	4.33	4.96	26

METRIC

Part # Black	Part # Metallic	X Thread	T mm	D mm	D1 mm	D2 mm	D3 mm	H mm	H1 mm	H2 mm	H3 mm	H4 mm	A mm	A1 mm	No. Of Teeth
06410-1041	06410-1043	M4	9	10	13	14	10.5	24.5	4	15	32.5	35.5	39	46	16
06410-1051	06410-1053	M5	9	10	13	14	10.5	24.5	4	15	32.5	35.5	39	46	16
06410-1061	06410-1063	M6	9	10	13	14	10.5	24.5	4	15	32.5	35.5	39	46	16
06410-2061	06410-2063	M6	12	13.5	18	18.5	15.5	28.5	6.5	16.5	45.5	49.5	64	73	20
06410-2081	06410-2083	M8	12	13.5	18	18.5	15.5	28.5	6.5	16.5	45.5	49.5	64	73	20
06410-3081	06410-3083	M8	14	16	21	22	17	37	10	23	57.5	61.5	79	90	22
06410-3101	06410-3103	M10	14	16	21	22	17	37	10	23	57.5	61.5	79	90	22
06410-4101	06410-4103	M10	17	19	25	26	19	42.5	10	26	67	72	95	108	24
06410-4121	06410-4123	M12	17	19	25	26	19	42.5	10	26	67	72	95	108	24
06410-5121	06410-5123	M12	23	23	30	31	22	49	12	32	79	84	110	126	26
06410-5161	06410-5163	M16	23	23	30	31	22	49	12	32	79	84	110	126	26

ADJUSTABLE CLAMP LEVERS

Zinc Die Cast | Female Threads | Stainless Steel Inserts | Inch and Metric



Pulling up on the handle disengages it from the spline and allows it to rotate freely for adjustment. Releasing the handle engages it for tightening or adjusting. The handle is made from zinc die cast and powder coated in either black satin or silver metallic finish. Internal parts are made from stainless steel.

INCH

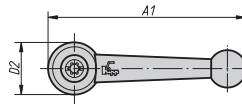
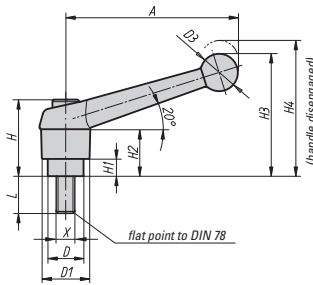
Part # Black	Part # Metallic	X Thread	T	D	D1	D2	D3	H	H1	H2	H3	H4	A	A1	No. Of Teeth
06411-1A01	06411-1A03	10-24	.35	.39	.51	.55	.41	.96	.16	.59	1.28	1.40	1.54	1.81	16
06411-1A21	06411-1A23	1/4-20	.35	.39	.51	.55	.41	.96	.16	.59	1.28	1.40	1.54	1.81	16
06411-2A21	06411-2A23	1/4-20	.47	.53	.71	.73	.61	1.12	.26	.65	1.79	1.95	2.52	2.87	20
06411-2A31	06411-2A33	5/16-18	.47	.53	.71	.73	.61	1.12	.26	.65	1.79	1.95	2.52	2.87	20
06411-3A31	06411-3A33	5/16-18	.55	.63	.83	.87	.67	1.46	.39	.91	2.26	2.42	3.11	3.54	22
06411-3A41	06411-3A43	3/8-16	.55	.63	.83	.87	.67	1.46	.39	.91	2.26	2.42	3.11	3.54	22
06411-4A41	06411-4A43	3/8-16	.67	.75	.98	1.02	.75	1.67	.39	1.02	2.64	2.83	3.74	4.25	24
06411-4A51	06411-4A53	1/2-13	.67	.75	.98	1.02	.75	1.67	.39	1.02	2.64	2.83	3.74	4.25	24
06411-5A51	06411-5A53	1/2-13	.91	.91	1.18	1.22	.87	1.93	.47	1.26	3.11	3.31	4.33	4.96	26
06411-5A61	06411-5A63	5/8-11	.91	.91	1.18	1.22	.87	1.93	.47	1.26	3.11	3.31	4.33	4.96	26

METRIC

Part # Black	Part # Metallic	X Thread	T mm	D mm	D1 mm	D2 mm	D3 mm	H mm	H1 mm	H2 mm	H3 mm	H4 mm	A mm	A1 mm	No. Of Teeth
06411-1051	06411-1053	M5	9	10	13	14	10.5	24.5	4	15	32.5	35.5	39	46	16
06411-1061	06411-1063	M6	9	10	13	14	10.5	24.5	4	15	32.5	35.5	39	46	16
06411-2061	06411-2063	M6	12	13.5	18	18.5	15.5	28.5	6.5	16.5	45.5	49.5	64	73	20
06411-2081	06411-2083	M8	12	13.5	18	18.5	15.5	28.5	6.5	16.5	45.5	49.5	64	73	20
06411-3081	06411-3083	M8	14	16	21	22	17	37	10	23	57.5	61.5	79	90	22
06411-3101	06411-3103	M10	14	16	21	22	17	37	10	23	57.5	61.5	79	90	22
06411-4101	06411-4103	M10	17	19	25	26	19	42.5	10	26	67	72	95	108	24
06411-4121	06411-4123	M12	17	19	25	26	19	42.5	10	26	67	72	95	108	24
06411-5121	06411-5123	M12	23	23	30	31	22	49	12	32	79	84	110	126	26
06411-5161	06411-5163	M16	23	23	30	31	22	49	12	32	79	84	110	126	26

ADJUSTABLE CLAMP LEVERS

Zinc Die Cast | Male Threads | Steel Studs | Inch



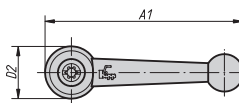
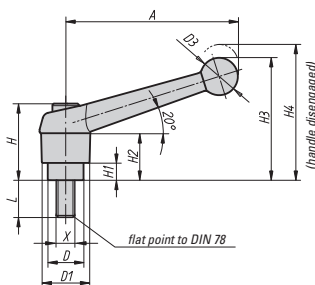
Pulling up on the handle disengages it from the spline and allows it to rotate freely for adjustment. Releasing the handle engages it for tightening or adjusting. The handle is made from zinc die cast and powder coated in either black satin or silver metallic finish. Internal parts and studs are made from steel with black oxide finish.

INCH

Part # Black	Part # Metallic	X Thread	L	D	D1	D2	D3	H	H1	H2	H3	H4	A	A1	No. Of Teeth
06430-1A01X10	06430-1A03X10	10-24	.39	.39	.51	.55	.41	.96	.16	.59	1.28	1.40	1.54	1.81	16
06430-1A01X15	06430-1A03X15	10-24	.59	.39	.51	.55	.41	.96	.16	.59	1.28	1.40	1.54	1.81	16
06430-1A01X20	06430-1A03X20	10-24	.79	.39	.51	.55	.41	.96	.16	.59	1.28	1.40	1.54	1.81	16
06430-1A01X25	06430-1A03X25	10-24	.98	.39	.51	.55	.41	.96	.16	.59	1.28	1.40	1.54	1.81	16
06430-1A01X30	06430-1A03X30	10-24	1.18	.39	.51	.55	.41	.96	.16	.59	1.28	1.40	1.54	1.81	16
06430-1A01X35	06430-1A03X35	10-24	1.38	.39	.51	.55	.41	.96	.16	.59	1.28	1.40	1.54	1.81	16
06430-1A01X40	06430-1A03X40	10-24	1.57	.39	.51	.55	.41	.96	.16	.59	1.28	1.40	1.54	1.81	16
06430-1A01X45	06430-1A03X45	10-24	1.77	.39	.51	.55	.41	.96	.16	.59	1.28	1.40	1.54	1.81	16
06430-1A01X50	06430-1A03X50	10-24	1.97	.39	.51	.55	.41	.96	.16	.59	1.28	1.40	1.54	1.81	16
06430-1A21X10	06430-1A23X10	1/4-20	.39	.39	.51	.55	.41	.96	.16	.59	1.28	1.40	1.54	1.81	16
06430-1A21X15	06430-1A23X15	1/4-20	.59	.39	.51	.55	.41	.96	.16	.59	1.28	1.40	1.54	1.81	16
06430-1A21X20	06430-1A23X20	1/4-20	.79	.39	.51	.55	.41	.96	.16	.59	1.28	1.40	1.54	1.81	16
06430-1A21X25	06430-1A23X25	1/4-20	.98	.39	.51	.55	.41	.96	.16	.59	1.28	1.40	1.54	1.81	16
06430-1A21X30	06430-1A23X30	1/4-20	1.18	.39	.51	.55	.41	.96	.16	.59	1.28	1.40	1.54	1.81	16
06430-1A21X35	06430-1A23X35	1/4-20	1.38	.39	.51	.55	.41	.96	.16	.59	1.28	1.40	1.54	1.81	16
06430-1A21X40	06430-1A23X40	1/4-20	1.57	.39	.51	.55	.41	.96	.16	.59	1.28	1.40	1.54	1.81	16
06430-1A21X45	06430-1A23X45	1/4-20	1.77	.39	.51	.55	.41	.96	.16	.59	1.28	1.40	1.54	1.81	16
06430-1A21X50	06430-1A23X50	1/4-20	1.97	.39	.51	.55	.41	.96	.16	.59	1.28	1.40	1.54	1.81	16
06430-2A21X15	06430-2A23X15	1/4-20	.59	.53	.71	.73	.61	1.12	.26	.65	1.79	1.95	2.52	2.87	20
06430-2A21X20	06430-2A23X20	1/4-20	.79	.53	.71	.73	.61	1.12	.26	.65	1.79	1.95	2.52	2.87	20
06430-2A21X25	06430-2A23X25	1/4-20	.98	.53	.71	.73	.61	1.12	.26	.65	1.79	1.95	2.52	2.87	20
06430-2A21X30	06430-2A23X30	1/4-20	1.18	.53	.71	.73	.61	1.12	.26	.65	1.79	1.95	2.52	2.87	20
06430-2A21X35	06430-2A23X35	1/4-20	1.38	.53	.71	.73	.61	1.12	.26	.65	1.79	1.95	2.52	2.87	20
06430-2A21X40	06430-2A23X40	1/4-20	1.57	.53	.71	.73	.61	1.12	.26	.65	1.79	1.95	2.52	2.87	20
06430-2A21X45	06430-2A23X45	1/4-20	1.77	.53	.71	.73	.61	1.12	.26	.65	1.79	1.95	2.52	2.87	20
06430-2A21X50	06430-2A23X50	1/4-20	1.97	.53	.71	.73	.61	1.12	.26	.65	1.79	1.95	2.52	2.87	20
06430-2A21X55	06430-2A23X55	1/4-20	2.17	.53	.71	.73	.61	1.12	.26	.65	1.79	1.95	2.52	2.87	20
06430-2A21X60	06430-2A23X60	1/4-20	2.36	.53	.71	.73	.61	1.12	.26	.65	1.79	1.95	2.52	2.87	20
06430-2A31X15	06430-2A33X15	5/16-18	.59	.53	.71	.73	.61	1.12	.26	.65	1.79	1.95	2.52	2.87	20
06430-2A31X20	06430-2A33X20	5/16-18	.79	.53	.71	.73	.61	1.12	.26	.65	1.79	1.95	2.52	2.87	20
06430-2A31X25	06430-2A33X25	5/16-18	.98	.53	.71	.73	.61	1.12	.26	.65	1.79	1.95	2.52	2.87	20
06430-2A31X30	06430-2A33X30	5/16-18	1.18	.53	.71	.73	.61	1.12	.26	.65	1.79	1.95	2.52	2.87	20
06430-2A31X35	06430-2A33X35	5/16-18	1.38	.53	.71	.73	.61	1.12	.26	.65	1.79	1.95	2.52	2.87	20
06430-2A31X40	06430-2A33X40	5/16-18	1.57	.53	.71	.73	.61	1.12	.26	.65	1.79	1.95	2.52	2.87	20
06430-2A31X45	06430-2A33X45	5/16-18	1.77	.53	.71	.73	.61	1.12	.26	.65	1.79	1.95	2.52	2.87	20
06430-2A31X50	06430-2A33X50	5/16-18	1.97	.53	.71	.73	.61	1.12	.26	.65	1.79	1.95	2.52	2.87	20
06430-2A31X55	06430-2A33X55	5/16-18	2.17	.53	.71	.73	.61	1.12	.26	.65	1.79	1.95	2.52	2.87	20
06430-2A31X60	06430-2A33X60	5/16-18	2.36	.53	.71	.73	.61	1.12	.26	.65	1.79	1.95	2.52	2.87	20
06430-2A41X15	06430-2A43X15	3/8-16	.59	.53	.71	.73	.61	1.12	.26	.65	1.79	1.95	2.52	2.87	20
06430-2A41X20	06430-2A43X20	3/8-16	.79	.53	.71	.73	.61	1.12	.26	.65	1.79	1.95	2.52	2.87	20
06430-2A41X25	06430-2A43X25	3/8-16	.98	.53	.71	.73	.61	1.12	.26	.65	1.79	1.95	2.52	2.87	20
06430-2A41X30	06430-2A43X30	3/8-16	1.18	.53	.71	.73	.61	1.12	.26	.65	1.79	1.95	2.52	2.87	20
06430-2A41X35	06430-2A43X35	3/8-16	1.38	.53	.71	.73	.61	1.12	.26	.65	1.79	1.95	2.52	2.87	20
06430-2A41X40	06430-2A43X40	3/8-16	1.57	.53	.71	.73	.61	1.12	.26	.65	1.79	1.95	2.52	2.87	20
06430-2A41X45	06430-2A43X45	3/8-16	1.77	.53	.71	.73	.61	1.12	.26	.65	1.79	1.95	2.52	2.87	20
06430-2A41X50	06430-2A43X50	3/8-16	1.97	.53	.71	.73	.61	1.12	.26	.65	1.79	1.95	2.52	2.87	20
06430-2A41X55	06430-2A43X55	3/8-16	2.17	.53	.71	.73	.61	1.12	.26	.65	1.79	1.95	2.52	2.87	20
06430-2A41X60	06430-2A43X60	3/8-16	2.36	.53	.71	.73	.61	1.12	.26	.65	1.79	1.95	2.52	2.87	20

ADJUSTABLE CLAMP LEVERS

Zinc Die Cast | Male Threads | Steel Studs | Metric



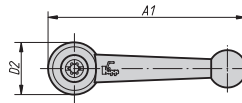
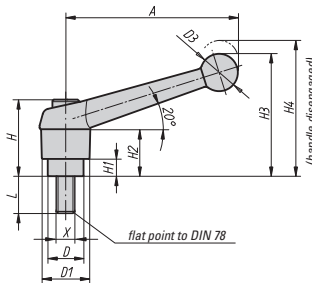
Pulling up on the handle disengages it from the spline and allows it to rotate freely for adjustment. Releasing the handle engages it for tightening or adjusting. The handle is made from zinc die cast and powder coated in either black satin or silver metallic finish. Internal parts and studs are made from steel with black oxide finish.

METRIC

Part # Black	Part # Metallic	X Thread	L mm	D mm	D1 mm	D2 mm	D3 mm	H mm	H1 mm	H2 mm	H3 mm	H4 mm	A mm	A1 mm	No. Of Teeth
06430-1051X10	06430-1053X10	M5	10	10	13	14	10.5	24.5	4	15	32.5	35.5	39	46	16
06430-1051X15	06430-1053X15	M5	15	10	13	14	10.5	24.5	4	15	32.5	35.5	39	46	16
06430-1051X20	06430-1053X20	M5	20	10	13	14	10.5	24.5	4	15	32.5	35.5	39	46	16
06430-1051X25	06430-1053X25	M5	25	10	13	14	10.5	24.5	4	15	32.5	35.5	39	46	16
06430-1051X30	06430-1053X30	M5	30	10	13	14	10.5	24.5	4	15	32.5	35.5	39	46	16
06430-1051X35	06430-1053X35	M5	35	10	13	14	10.5	24.5	4	15	32.5	35.5	39	46	16
06430-1051X40	06430-1053X40	M5	40	10	13	14	10.5	24.5	4	15	32.5	35.5	39	46	16
06430-1051X45	06430-1053X45	M5	45	10	13	14	10.5	24.5	4	15	32.5	35.5	39	46	16
06430-1051X50	06430-1053X50	M5	50	10	13	14	10.5	24.5	4	15	32.5	35.5	39	46	16
06430-1061X10	06430-1063X10	M6	10	10	13	14	10.5	24.5	4	15	32.5	35.5	39	46	16
06430-1061X15	06430-1063X15	M6	15	10	13	14	10.5	24.5	4	15	32.5	35.5	39	46	16
06430-1061X20	06430-1063X20	M6	20	10	13	14	10.5	24.5	4	15	32.5	35.5	39	46	16
06430-1061X25	06430-1063X25	M6	25	10	13	14	10.5	24.5	4	15	32.5	35.5	39	46	16
06430-1061X30	06430-1063X30	M6	30	10	13	14	10.5	24.5	4	15	32.5	35.5	39	46	16
06430-1061X35	06430-1063X35	M6	35	10	13	14	10.5	24.5	4	15	32.5	35.5	39	46	16
06430-1061X40	06430-1063X40	M6	40	10	13	14	10.5	24.5	4	15	32.5	35.5	39	46	16
06430-1061X45	06430-1063X45	M6	45	10	13	14	10.5	24.5	4	15	32.5	35.5	39	46	16
06430-1061X50	06430-1063X50	M6	50	10	13	14	10.5	24.5	4	15	32.5	35.5	39	46	16
06430-2061X15	06430-2063X15	M6	15	13.5	18	18.5	15.5	28.5	6.5	16.5	45.5	49.5	64	73	20
06430-2061X20	06430-2063X20	M6	20	13.5	18	18.5	15.5	28.5	6.5	16.5	45.5	49.5	64	73	20
06430-2061X25	06430-2063X25	M6	25	13.5	18	18.5	15.5	28.5	6.5	16.5	45.5	49.5	64	73	20
06430-2061X30	06430-2063X30	M6	30	13.5	18	18.5	15.5	28.5	6.5	16.5	45.5	49.5	64	73	20
06430-2061X35	06430-2063X35	M6	35	13.5	18	18.5	15.5	28.5	6.5	16.5	45.5	49.5	64	73	20
06430-2061X40	06430-2063X40	M6	40	13.5	18	18.5	15.5	28.5	6.5	16.5	45.5	49.5	64	73	20
06430-2061X45	06430-2063X45	M6	45	13.5	18	18.5	15.5	28.5	6.5	16.5	45.5	49.5	64	73	20
06430-2061X50	06430-2063X50	M6	50	13.5	18	18.5	15.5	28.5	6.5	16.5	45.5	49.5	64	73	20
06430-2061X55	06430-2063X55	M6	55	13.5	18	18.5	15.5	28.5	6.5	16.5	45.5	49.5	64	73	20
06430-2061X60	06430-2063X60	M6	60	13.5	18	18.5	15.5	28.5	6.5	16.5	45.5	49.5	64	73	20
06430-2081X15	06430-2083X15	M8	15	13.5	18	18.5	15.5	28.5	6.5	16.5	45.5	49.5	64	73	20
06430-2081X20	06430-2083X20	M8	20	13.5	18	18.5	15.5	28.5	6.5	16.5	45.5	49.5	64	73	20
06430-2081X25	06430-2083X25	M8	25	13.5	18	18.5	15.5	28.5	6.5	16.5	45.5	49.5	64	73	20
06430-2081X30	06430-2083X30	M8	30	13.5	18	18.5	15.5	28.5	6.5	16.5	45.5	49.5	64	73	20
06430-2081X35	06430-2083X35	M8	35	13.5	18	18.5	15.5	28.5	6.5	16.5	45.5	49.5	64	73	20
06430-2081X40	06430-2083X40	M8	40	13.5	18	18.5	15.5	28.5	6.5	16.5	45.5	49.5	64	73	20
06430-2081X45	06430-2083X45	M8	45	13.5	18	18.5	15.5	28.5	6.5	16.5	45.5	49.5	64	73	20
06430-2081X50	06430-2083X50	M8	50	13.5	18	18.5	15.5	28.5	6.5	16.5	45.5	49.5	64	73	20
06430-2081X55	06430-2083X55	M8	55	13.5	18	18.5	15.5	28.5	6.5	16.5	45.5	49.5	64	73	20
06430-2081X60	06430-2083X60	M8	60	13.5	18	18.5	15.5	28.5	6.5	16.5	45.5	49.5	64	73	20
06430-2101X15	06430-2103X15	M10	15	13.5	18	18.5	15.5	28.5	6.5	16.5	45.5	49.5	64	73	20
06430-2101X20	06430-2103X20	M10	20	13.5	18	18.5	15.5	28.5	6.5	16.5	45.5	49.5	64	73	20
06430-2101X25	06430-2103X25	M10	25	13.5	18	18.5	15.5	28.5	6.5	16.5	45.5	49.5	64	73	20
06430-2101X30	06430-2103X30	M10	30	13.5	18	18.5	15.5	28.5	6.5	16.5	45.5	49.5	64	73	20
06430-2101X35	06430-2103X35	M10	35	13.5	18	18.5	15.5	28.5	6.5	16.5	45.5	49.5	64	73	20
06430-2101X40	06430-2103X40	M10	40	13.5	18	18.5	15.5	28.5	6.5	16.5	45.5	49.5	64	73	20
06430-2101X45	06430-2103X45	M10	45	13.5	18	18.5	15.5	28.5	6.5	16.5	45.5	49.5	64	73	20
06430-2101X50	06430-2103X50	M10	50	13.5	18	18.5	15.5	28.5	6.5	16.5	45.5	49.5	64	73	20
06430-2101X55	06430-2103X55	M10	55	13.5	18	18.5	15.5	28.5	6.5	16.5	45.5	49.5	64	73	20
06430-2101X60	06430-2103X60	M10	60	13.5	18	18.5	15.5	28.5	6.5	16.5	45.5	49.5	64	73	20

ADJUSTABLE CLAMP LEVERS

Zinc Die Cast | Male Threads | Stainless Steel Studs | Inch



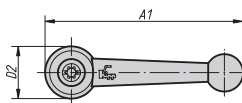
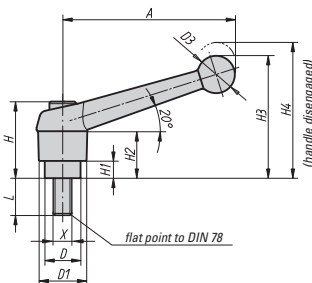
Pulling up on the handle disengages it from the spline and allows it to rotate freely for adjustment. Releasing the handle engages it for tightening or adjusting. The handle is made from zinc die cast and powder coated in either black satin or silver metallic finish. Internal parts and studs are made from stainless steel.

INCH

Part # Black	Part # Metallic	X Thread	L	D	D1	D2	D3	H	H1	H2	H3	H4	A	A1	No. Of Teeth
06431-1A01X15	06431-1A03X15	10-24	.59	.39	.51	.55	.41	.96	.16	.59	1.28	1.40	1.54	1.81	16
06431-1A01X20	06431-1A03X20	10-24	.79	.39	.51	.55	.41	.96	.16	.59	1.28	1.40	1.54	1.81	16
06431-1A01X25	06431-1A03X25	10-24	.98	.39	.51	.55	.41	.96	.16	.59	1.28	1.40	1.54	1.81	16
06431-1A21X10	06431-1A23X10	1/4-20	.39	.39	.51	.55	.41	.96	.16	.59	1.28	1.40	1.54	1.81	16
06431-1A21X15	06431-1A23X15	1/4-20	.59	.39	.51	.55	.41	.96	.16	.59	1.28	1.40	1.54	1.81	16
06431-1A21X20	06431-1A23X20	1/4-20	.79	.39	.51	.55	.41	.96	.16	.59	1.28	1.40	1.54	1.81	16
06431-1A21X25	06431-1A23X25	1/4-20	.98	.39	.51	.55	.41	.96	.16	.59	1.28	1.40	1.54	1.81	16
06431-1A21X30	06431-1A23X30	1/4-20	1.18	.39	.51	.55	.41	.96	.16	.59	1.28	1.40	1.54	1.81	16
06431-1A21X40	06431-1A23X40	1/4-20	1.57	.39	.51	.55	.41	.96	.16	.59	1.28	1.40	1.54	1.81	16
06431-1A21X50	06431-1A23X50	1/4-20	1.97	.39	.51	.55	.41	.96	.16	.59	1.28	1.40	1.54	1.81	16
06431-2A21X15	06431-2A23X15	1/4-20	.59	.53	.71	.73	.61	1.12	.26	.65	1.79	1.95	2.52	2.87	20
06431-2A21X20	06431-2A23X20	1/4-20	.79	.53	.71	.73	.61	1.12	.26	.65	1.79	1.95	2.52	2.87	20
06431-2A21X25	06431-2A23X25	1/4-20	.98	.53	.71	.73	.61	1.12	.26	.65	1.79	1.95	2.52	2.87	20
06431-2A21X30	06431-2A23X30	1/4-20	1.18	.53	.71	.73	.61	1.12	.26	.65	1.79	1.95	2.52	2.87	20
06431-2A21X40	06431-2A23X40	1/4-20	1.57	.53	.71	.73	.61	1.12	.26	.65	1.79	1.95	2.52	2.87	20
06431-2A21X50	06431-2A23X50	1/4-20	1.97	.53	.71	.73	.61	1.12	.26	.65	1.79	1.95	2.52	2.87	20
06431-2A21X60	06431-2A23X60	1/4-20	2.36	.53	.71	.73	.61	1.12	.26	.65	1.79	1.95	2.52	2.87	20
06431-2A31X15	06431-2A33X15	5/16-18	.59	.53	.71	.73	.61	1.12	.26	.65	1.79	1.95	2.52	2.87	20
06431-2A31X20	06431-2A33X20	5/16-18	.79	.53	.71	.73	.61	1.12	.26	.65	1.79	1.95	2.52	2.87	20
06431-2A31X25	06431-2A33X25	5/16-18	.98	.53	.71	.73	.61	1.12	.26	.65	1.79	1.95	2.52	2.87	20
06431-2A31X30	06431-2A33X30	5/16-18	1.18	.53	.71	.73	.61	1.12	.26	.65	1.79	1.95	2.52	2.87	20
06431-2A31X40	06431-2A33X40	5/16-18	1.57	.53	.71	.73	.61	1.12	.26	.65	1.79	1.95	2.52	2.87	20
06431-2A31X50	06431-2A33X50	5/16-18	1.97	.53	.71	.73	.61	1.12	.26	.65	1.79	1.95	2.52	2.87	20
06431-2A31X60	06431-2A33X60	5/16-18	2.36	.53	.71	.73	.61	1.12	.26	.65	1.79	1.95	2.52	2.87	20
06431-2A41X20	06431-2A43X20	3/8-16	.79	.53	.71	.73	.61	1.12	.26	.65	1.79	1.95	2.52	2.87	20
06431-2A41X25	06431-2A43X25	3/8-16	.98	.53	.71	.73	.61	1.12	.26	.65	1.79	1.95	2.52	2.87	20
06431-2A41X30	06431-2A43X30	3/8-16	1.18	.53	.71	.73	.61	1.12	.26	.65	1.79	1.95	2.52	2.87	20
06431-2A41X40	06431-2A43X40	3/8-16	1.57	.53	.71	.73	.61	1.12	.26	.65	1.79	1.95	2.52	2.87	20
06431-2A41X50	06431-2A43X50	3/8-16	1.97	.53	.71	.73	.61	1.12	.26	.65	1.79	1.95	2.52	2.87	20
06431-2A41X60	06431-2A43X60	3/8-16	2.36	.53	.71	.73	.61	1.12	.26	.65	1.79	1.95	2.52	2.87	20
06431-3A31X20	06431-3A33X20	5/16-18	.79	.63	.83	.87	.67	1.46	.39	.91	2.26	2.42	3.11	3.54	22
06431-3A31X25	06431-3A33X25	5/16-18	.98	.63	.83	.87	.67	1.46	.39	.91	2.26	2.42	3.11	3.54	22
06431-3A31X30	06431-3A33X30	5/16-18	1.18	.63	.83	.87	.67	1.46	.39	.91	2.26	2.42	3.11	3.54	22
06431-3A31X40	06431-3A33X40	5/16-18	1.57	.63	.83	.87	.67	1.46	.39	.91	2.26	2.42	3.11	3.54	22
06431-3A31X50	06431-3A33X50	5/16-18	1.97	.63	.83	.87	.67	1.46	.39	.91	2.26	2.42	3.11	3.54	22
06431-3A31X60	06431-3A33X60	5/16-18	2.36	.63	.83	.87	.67	1.46	.39	.91	2.26	2.42	3.11	3.54	22
06431-3A41X20	06431-3A43X20	3/8-16	.79	.63	.83	.87	.67	1.46	.39	.91	2.26	2.42	3.11	3.54	22
06431-3A41X25	06431-3A43X25	3/8-16	.98	.63	.83	.87	.67	1.46	.39	.91	2.26	2.42	3.11	3.54	22
06431-3A41X30	06431-3A43X30	3/8-16	1.18	.63	.83	.87	.67	1.46	.39	.91	2.26	2.42	3.11	3.54	22
06431-3A41X40	06431-3A43X40	3/8-16	1.57	.63	.83	.87	.67	1.46	.39	.91	2.26	2.42	3.11	3.54	22
06431-3A41X50	06431-3A43X50	3/8-16	1.97	.63	.83	.87	.67	1.46	.39	.91	2.26	2.42	3.11	3.54	22
06431-3A41X60	06431-3A43X60	3/8-16	2.36	.63	.83	.87	.67	1.46	.39	.91	2.26	2.42	3.11	3.54	22
06431-4A51X25	06431-4A53X25	1/2-13	.98	.75	.98	1.02	.75	1.67	.39	1.02	2.64	2.83	3.74	4.25	24
06431-4A51X30	06431-4A53X30	1/2-13	1.18	.75	.98	1.02	.75	1.67	.39	1.02	2.64	2.83	3.74	4.25	24
06431-4A51X40	06431-4A53X40	1/2-13	1.57	.75	.98	1.02	.75	1.67	.39	1.02	2.64	2.83	3.74	4.25	24
06431-4A51X50	06431-4A53X50	1/2-13	1.97	.75	.98	1.02	.75	1.67	.39	1.02	2.64	2.83	3.74	4.25	24
06431-4A51X60	06431-4A53X60	1/2-13	2.36	.75	.98	1.02	.75	1.67	.39	1.02	2.64	2.83	3.74	4.25	24
06431-5A61X30	06431-5A63X30	5/8-11	1.18	.91	1.18	1.22	.87	1.93	.47	1.26	3.11	3.31	4.33	4.96	26
06431-5A61X40	06431-5A63X40	5/8-11	1.57	.91	1.18	1.22	.87	1.93	.47	1.26	3.11	3.31	4.33	4.96	26
06431-5A61X50	06431-5A63X50	5/8-11	1.97	.91	1.18	1.22	.87	1.93	.47	1.26	3.11	3.31	4.33	4.96	26
06431-5A61X60	06431-5A63X60	5/8-11	2.36	.91	1.18	1.22	.87	1.93	.47	1.26	3.11	3.31	4.33	4.96	26

ADJUSTABLE CLAMP LEVERS

Zinc Die Cast | Male Threads | Stainless Steel Studs | Metric



Pulling up on the handle disengages it from the spline and allows it to rotate freely for adjustment. Releasing the handle engages it for tightening or adjusting. The handle is made from zinc die cast and powder coated in either black satin or silver metallic finish. Internal parts and studs are made from stainless steel.

METRIC

Part # Black	Part # Metallic	X Thread	L mm	D mm	D1 mm	D2 mm	D3 mm	H mm	H1 mm	H2 mm	H3 mm	H4 mm	A mm	A1 mm	No. Of Teeth
06431-1051X15	06431-1053X15	M5	15	10	13	14	10.5	24.5	4	15	32.5	35.5	39	46	16
06431-1051X20	06431-1053X20	M5	20	10	13	14	10.5	24.5	4	15	32.5	35.5	39	46	16
06431-1051X25	06431-1053X25	M5	25	10	13	14	10.5	24.5	4	15	32.5	35.5	39	46	16
06431-1061X10	06431-1063X10	M6	10	10	13	14	10.5	24.5	4	15	32.5	35.5	39	46	16
06431-1061X15	06431-1063X15	M6	15	10	13	14	10.5	24.5	4	15	32.5	35.5	39	46	16
06431-1061X20	06431-1063X20	M6	20	10	13	14	10.5	24.5	4	15	32.5	35.5	39	46	16
06431-1061X25	06431-1063X25	M6	25	10	13	14	10.5	24.5	4	15	32.5	35.5	39	46	16
06431-1061X30	06431-1063X30	M6	30	10	13	14	10.5	24.5	4	15	32.5	35.5	39	46	16
06431-1061X40	06431-1063X40	M6	40	10	13	14	10.5	24.5	4	15	32.5	35.5	39	46	16
06431-1061X50	06431-1063X50	M6	50	10	13	14	10.5	24.5	4	15	32.5	35.5	39	46	16
06431-2061X15	06431-2063X15	M6	15	13.5	18	18.5	15.5	28.5	6.5	16.5	45.5	49.5	64	73	20
06431-2061X20	06431-2063X20	M6	20	13.5	18	18.5	15.5	28.5	6.5	16.5	45.5	49.5	64	73	20
06431-2061X25	06431-2063X25	M6	25	13.5	18	18.5	15.5	28.5	6.5	16.5	45.5	49.5	64	73	20
06431-2061X30	06431-2063X30	M6	30	13.5	18	18.5	15.5	28.5	6.5	16.5	45.5	49.5	64	73	20
06431-2061X40	06431-2063X40	M6	40	13.5	18	18.5	15.5	28.5	6.5	16.5	45.5	49.5	64	73	20
06431-2061X50	06431-2063X50	M6	50	13.5	18	18.5	15.5	28.5	6.5	16.5	45.5	49.5	64	73	20
06431-2061X60	06431-2063X60	M6	60	13.5	18	18.5	15.5	28.5	6.5	16.5	45.5	49.5	64	73	20
06431-2081X15	06431-2083X15	M8	15	13.5	18	18.5	15.5	28.5	6.5	16.5	45.5	49.5	64	73	20
06431-2081X20	06431-2083X20	M8	20	13.5	18	18.5	15.5	28.5	6.5	16.5	45.5	49.5	64	73	20
06431-2081X25	06431-2083X25	M8	25	13.5	18	18.5	15.5	28.5	6.5	16.5	45.5	49.5	64	73	20
06431-2081X30	06431-2083X30	M8	30	13.5	18	18.5	15.5	28.5	6.5	16.5	45.5	49.5	64	73	20
06431-2081X40	06431-2083X40	M8	40	13.5	18	18.5	15.5	28.5	6.5	16.5	45.5	49.5	64	73	20
06431-2081X50	06431-2083X50	M8	50	13.5	18	18.5	15.5	28.5	6.5	16.5	45.5	49.5	64	73	20
06431-2081X60	06431-2083X60	M8	60	13.5	18	18.5	15.5	28.5	6.5	16.5	45.5	49.5	64	73	20
06431-2101X20	06431-2103X20	M10	20	13.5	18	18.5	15.5	28.5	6.5	16.5	45.5	49.5	64	73	20
06431-2101X25	06431-2103X25	M10	25	13.5	18	18.5	15.5	28.5	6.5	16.5	45.5	49.5	64	73	20
06431-2101X30	06431-2103X30	M10	30	13.5	18	18.5	15.5	28.5	6.5	16.5	45.5	49.5	64	73	20
06431-2101X40	06431-2103X40	M10	40	13.5	18	18.5	15.5	28.5	6.5	16.5	45.5	49.5	64	73	20
06431-2101X50	06431-2103X50	M10	50	13.5	18	18.5	15.5	28.5	6.5	16.5	45.5	49.5	64	73	20
06431-2101X60	06431-2103X60	M10	60	13.5	18	18.5	15.5	28.5	6.5	16.5	45.5	49.5	64	73	20
06431-3081X20	06431-3083X20	M8	20	16	21	22	17	37	10	23	57.5	61.5	79	90	22
06431-3081X25	06431-3083X25	M8	25	16	21	22	17	37	10	23	57.5	61.5	79	90	22
06431-3081X30	06431-3083X30	M8	30	16	21	22	17	37	10	23	57.5	61.5	79	90	22
06431-3081X40	06431-3083X40	M8	40	16	21	22	17	37	10	23	57.5	61.5	79	90	22
06431-3081X50	06431-3083X50	M8	50	16	21	22	17	37	10	23	57.5	61.5	79	90	22
06431-3081X60	06431-3083X60	M8	60	16	21	22	17	37	10	23	57.5	61.5	79	90	22
06431-3101X20	06431-3103X20	M10	20	16	21	22	17	37	10	23	57.5	61.5	79	90	22
06431-3101X25	06431-3103X25	M10	25	16	21	22	17	37	10	23	57.5	61.5	79	90	22
06431-3101X30	06431-3103X30	M10	30	16	21	22	17	37	10	23	57.5	61.5	79	90	22
06431-3101X40	06431-3103X40	M10	40	16	21	22	17	37	10	23	57.5	61.5	79	90	22
06431-3101X50	06431-3103X50	M10	50	16	21	22	17	37	10	23	57.5	61.5	79	90	22
06431-3101X60	06431-3103X60	M10	60	16	21	22	17	37	10	23	57.5	61.5	79	90	22
06431-4121X25	06431-4123X25	M12	25	19	25	26	19	42.5	10	26	67	72	95	108	24
06431-4121X30	06431-4123X30	M12	30	19	25	26	19	42.5	10	26	67	72	95	108	24
06431-4121X40	06431-4123X40	M12	40	19	25	26	19	42.5	10	26	67	72	95	108	24
06431-4121X50	06431-4123X50	M12	50	19	25	26	19	42.5	10	26	67	72	95	108	24
06431-4121X60	06431-4123X60	M12	60	19	25	26	19	42.5	10	26	67	72	95	108	24
06431-5161X30	06431-5163X30	M16	30	23	30	31	22	49	12	32	79	84	110	126	26
06431-5161X40	06431-5163X40	M16	40	23	30	31	22	49	12	32	79	84	110	126	26
06431-5161X50	06431-5163X50	M16	50	23	30	31	22	49	12	32	79	84	110	126	26
06431-5161X60	06431-5163X60	M16	60	23	30	31	22	49	12	32	79	84	110	126	26