



## Pressure, Level & Temperature Transmitters & Transducers

2770 Long Road, Grand Island, NY 14072 USA

Tel. (716) 773-9300 • Fax (716) 773-5019

sales@gp50.com • www.gp50.com

### DIFFERENTIAL PRESSURE TRANSMITTER

### Models 115, 215, 315, 115X/P, 215X/P, 315X/P/Z



(Shown with "315X"  
+ "HM" option)

#### FEATURES:

- Rugged, all welded, totally encapsulated electronics
- Leakproof. No O-ring construction
- Small size
- All SST wetted parts
- Base pressure to 10,000 psi (with option HM)
- Explosion Proof & Intrinsically Safe Approvals

#### PRESSURE RANGES:

- From 30 to 5000 psid
- From 2 to 300 bar
- (Bi-directional available)

#### WIRING:

	115	215	315
A/1 RED	+EXC.	+EXC.	+EXC./SIGNAL
B/2 GREEN	+SIGNAL	+SIGNAL	NC
C/3 WHITE	-SIGNAL	NC	NC
D/4 BLACK	-EXC.	-EXC./SIGNAL	-EXC./SIGNAL
E/5 BLUE	NC OPTION GH	NC OPTION GH	NC OPTION GH
F/6 BROWN	NC OPTION GH	NC OPTION GH	NC OPTION GH
SHIELD	OPEN	OPEN	OPEN

#### Approvals



#### Zero Balance:

- (Model 115) 0.0 mV/V  $\pm 2\%$  FSO at 70°F at 10 Vdc
- (Model 215) 0.0 Vdc  $\pm 2\%$  FSO at 70°F at 24 Vdc
- (Model 315) 4.0 mA  $\pm 2\%$  FSO at 70°F at 24 Vdc

#### Temperature Compensation:

- Effect on Zero / Span  $\leq \pm 2.0\%$  FSO/100°F for each

#### Electricals:

(Consult factory for ATEX approval)

- Excitation Voltage:
  - (Model 115) 3.5-15 Vdc
  - (Models 215/215X) 9-40 Vdc / 10.5-32 Vdc
  - (Models 315/315Z) 9-36 Vdc
  - (Model 315X) 13-36 Vdc
- Output Current:
  - (Model 215) 2.0 mA maximum for less than 0.1% FSO attenuation.
- Output at 70°F:
  - (Model 115) 3 mV/V  $\pm 2\%$  FSO
  - (Models 215/215X) 0  $\pm 5$  Vdc  $\pm 2\%$  FSO
  - (Models 315/315X/315Z) 4-20 mA  $\pm 2\%$  FSO
- Load Impedance:
  - (Model 115) 50,000 ohms min. for less than 0.1% FSO attenuation
  - (Model 215) 750 ohms maximum at 24 Vdc & 1350 ohms at 36 Vdc
- Input Impedance:
  - (Model 115) 5000 ohms nominal
- Input Current:
  - (Model 215) 10 mA nominal

#### Temperature Limits:

- Compensated: +70° to +180° F
- Operating: -20° to +190° F
- Storage: -65° to +250° F

#### Mechanicals:

- Proof Pressure: 10 X full scale pressure range or 3000 psi, whichever is less.
- Burst Pressure: 15 X full scale pressure range or 4000 psi, whichever is less.
- Weight: 16 oz. nominal.
- Static Line Pressure: 2000 psi maximum (10,000 psi option)
- Static Line Shift (Zero Shift):  $\leq \pm 1\%$  FSO/1000 PSI
- Wetted Materials: 316 SST
- Enclosure Material: 17-4 and 316 SST
- Mounting: Pressure Port

#### Connections:

- Pressure: 1/4" NPT (F)
- Electrical Cable:
  - (Model 115, 215) 36" long, 4 conductor
  - (Model 315) 36" long, 2 conductor

A5SL-15.00 Rev C



# Pressure, Level & Temperature Transmitters & Transducers

2770 Long Road, Grand Island, NY 14072 USA

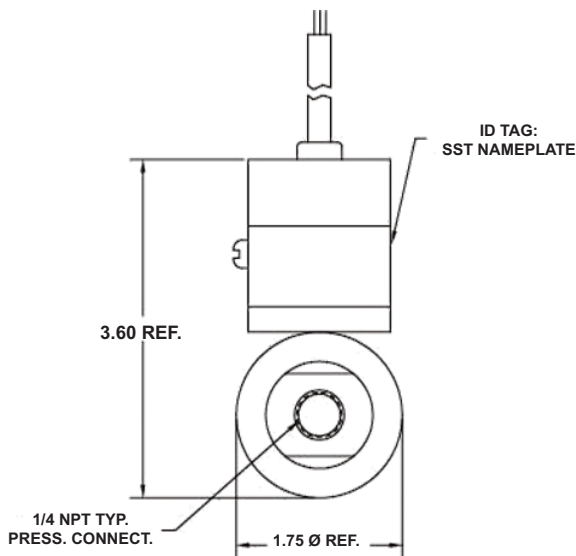
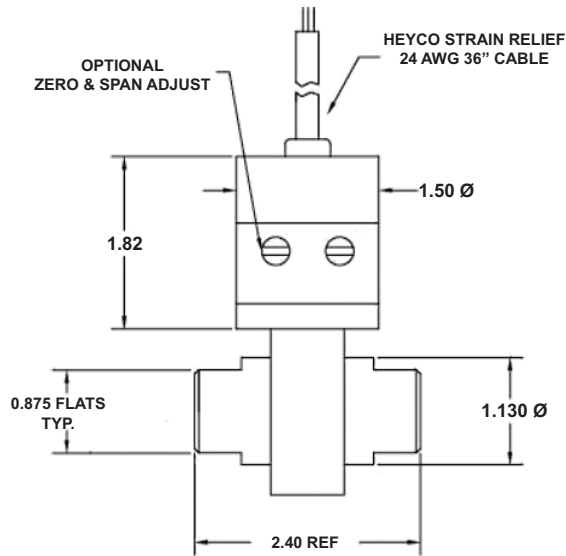
Tel. (716) 773-9300 • Fax (716) 773-5019

sales@gp50.com • www.gp50.com

## DIFFERENTIAL PRESSURE TRANSMITTER

### Models 115, 215, 315, 115X/P, 215X/P, 315X/P/Z

Some options will affect dimensions. Consult factory if important.



#### NOTE:

Specifications reflect standard product, improved performance / mechanical options available.

Modifications may alter specs, consult factory for more information.

#### MODEL:

<b>115</b>	3 mV/V
<b>215</b>	0-5 Vdc
<b>315</b>	4-20 mA
<b>215X</b>	0-5 Vdc Explosion Proof
<b>315X</b>	4-20 mA Explosion Proof
<b>315Z</b>	4-20 mA Intrinsically Safe

#### ACCURACY:

A - 1.0% FSO / B - 0.5% FSO / C - 0.2% FSO

#### PRESSURE RANGE (PSI):

\*\*Available with option HM only

<b>PT</b> 30	<b>RF</b> 300	<b>RS</b> 2500
<b>PV</b> 50	<b>RH</b> 500	<b>RT</b> 3000**
<b>PX</b> 75	<b>RJ</b> 600	<b>RV</b> 5000**
<b>PZ</b> 100	<b>RK</b> 750	<b>RW</b> 6000**
<b>RB</b> 150	<b>RM</b> 1000	<b>RX</b> 7500**
<b>RD</b> 200	<b>RO</b> 1500	<b>SZ</b> Other
<b>RE</b> 250	<b>RR</b> 2000	

#### OPTIONS

**AA** None (standard connector)

#### ALTERNATE CONNECTOR OR CABLE

<b>CA</b>	Bendix PTIH-10-6P (Mate: PTO6E-10-6S [SR], not supplied)
<b>CB</b>	Bendix CF3102E-14S-6P (Mate: CF 3106E-14A-6S (not supplied))
<b>CE</b>	Terminal Block
<b>CF</b>	1/2" NPT(M) thread w/24" potted leads. (Std. on exp. proof models)
<b>CH</b>	NEMA-4X cable, 8' vented polyurethane jacket cable
<b>CJ</b>	DIN 43650 (includes mate)
<b>CL</b>	1/2" NPT (M) conduit, 2' vented polyurethane jacket cable
<b>CO</b>	Junction Box (thermocouple type) and Terminal Block
<b>CT</b>	Teflon jacketed cable, Tefzel used on submersible units, (Options CH, CL, DE)

#### ALTERNATE PRESSURE PORT

<b>FA</b>	MS33649-4 (1/4 AND-10050, [F])
<b>FC</b>	3/8" NPT (F)
<b>FZ</b>	Non-Standard Pressure Port

#### GENERAL

<b>CW</b>	Submersible non-vented cable (max. 500 psi external)
<b>DE</b>	IP-67 (NEMA-6) vented polyurethane cable, neoprene grommet
<b>GA</b>	Standardized Output to $\pm 0.5\%$ FSO
<b>GB</b>	Alternate Full Scale, Outputs that are non-standard
<b>GE</b>	Improved Temp. Compensation to $\pm 0.5\%$ FSO/100°F for Zero & Span
<b>GF</b>	Expanded process temperature range, -65 to 250°F ( $\pm 2\%$ FSO/100°F)
<b>GG</b>	Alternate Calibration Resistor Signal
<b>GH</b>	Internal Calibration Resistor, set to 100% $\pm 0.5\%$ FSO
<b>GJ</b>	Zero & Span Controls (Approximately $\pm 20\%$ FSO) 215 & 315 only
<b>GL</b>	Cleaned for Oxygen Service
<b>GS</b>	0-10 Vdc FSO, Model 215. (Requires 16-40 Vdc excitation)
<b>HK</b>	NEMA-4X rating
<b>HL</b>	RFI Protection (for unit in proximity to radio transmitter).
<b>HM</b>	10,000 psi Base Pressure Flange Girdle.
	Proof pressure 10 x full scale range or 10,000 psi, whichever is less.
	Burst pressure 15 x full scale range or 10,500 psi, whichever is less.
<b>HR</b>	$\pm 15$ Vdc Excitation, Model 215
<b>MD</b>	Zero and Span Controls for Explosion-Proof Units.
<b>MS</b>	Bi-Directional Differential Pressure allows for both positive & Negative signal (Model 315 has a 12 mA zero)