



# Pressure, Level & Temperature Transmitters & Transducers

2770 Long Road, Grand Island, NY 14072 USA

Tel. (716) 773-9300 • Fax (716) 773-5019

sales@gp50.com • www.gp50.com

## SUB SEA PRESSURE & TEMPERATURE TRANSMITTER

### Model 7500-9000 Series

Designed for the tough challenges and environmental rigors of deep sea ocean applications.



#### FEATURES:

- High Accuracy, 0.25% FSO
- Submersible to 30,000 feet seawater
- Digital output available
- Pressure & Temperature Output

- Depth / Level Sensing
- Oil Platform and Downhole Applications
- Ocean Pump Stations

#### PIN-OUT CONFIGURATION

PIN 1	+EXC. (PRESSURE & TEMPERATURE)
PIN 2	-EXC./OUTPUT, 4-20 mAdc /HART, PRESSURE LOOP
PIN 8	-EXC./OUTPUT, 4-20 mAdc /HART, TEMPERATURE LOOP
PIN 3, 4, 5, 6, 7, 9, 10, 11, 12:	N/C

#### Ranges:

- 0 thru 20,000 PSIG

#### Outputs:

- 4-20mA, 0-Full Scale Pressure, 4-20mA, 0-200° C

#### Accuracy:

- ±0.25% FSO (RSS)

**Proof Pressure:** 1.5 X Pressure Range

**Burst Pressure:** 2.5 X Pressure Range

#### Zero / Span Balance:

- ±1.0% FSO for Pressure and Temperature

**Stability:** ±0.5% FSO per year

#### Zero Shift:

- <1% FSO with line pressure applied

#### Operating Range:

- Electronics: -10° C to 80° C

- Process: -10° C to 220° C

#### Compensated Range:

- 0° C to +200° C

**Temperature Performance:** (Pressure Only)

- Zero Balance: Less than 1.0% FSO per CTR

- Span: Less than 1.0% FSO per CTR

#### Excitation:

- 12-36 Vdc

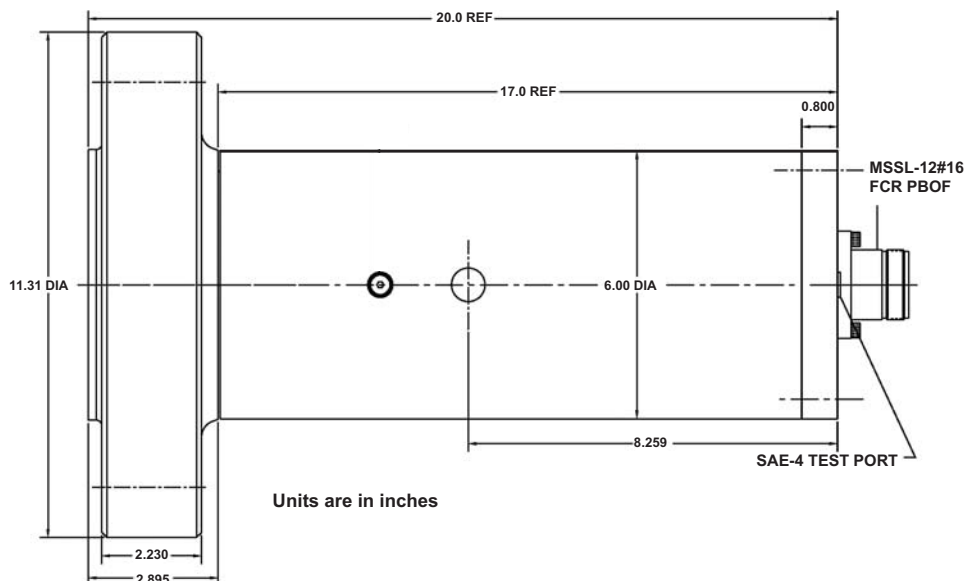
- 18-36 Vdc for Hart communication (250 ohm load required)

**Connector:** MSSL-12-FCR-PBOF

All GP:50 Aerospace pressure transducers are manufactured and tested to the following MIL-STD and MIL-Spec standards to insure the highest quality assurance:

- NIST Traceability and Calibration..... MIL-STD-45662A
- Workmanship ..... J-001 / NASA 8739.3 standards
- Quality System ..... ISO 9001:2000

Designed to: MIL-STD-810C&E  
MIL-STD-461/462D&E



A5SL-75/9000.00 Rev C

GP:50 reserves the right to make product improvements and amendments to the product specifications stated throughout this brochure without prior notification. Please contact the factory on all critical dimensions and specifications for verification.



## Pressure, Level & Temperature Transmitters & Transducers

2770 Long Road, Grand Island, NY 14072 USA

Tel. (716) 773-9300 • Fax (716) 773-5019

sales@gp50.com • www.gp50.com

## SUB SEA PRESSURE & TEMPERATURE TRANSMITTER

### Model 7500-9000 Series

Typical configurations (consult factory for more options)

#### MODEL

<b>7500-9000</b>	15,000 PSI Flange
<b>7500-9001</b>	15,000 PSI Hub
<b>7500-9002</b>	10,000 PSI Flange
<b>7500-9003</b>	10,000 PSI Hub
<b>7500-9004</b>	5,000 PSI Flange

#### INLAY OPTIONS

<b>I</b>	625 Inconel
<b>S</b>	316 Stainless Steel

#### APPROVAL / CERTIFICATION OPTION

<b>D</b>	DNV Cert
----------	----------

#### RANGE (PSIG)

<b>SB</b>	0-15,000
<b>SD</b>	0-20,000

#### PORT OPTION

##### 5K PSI MODELS ONLY

- 1 API 3 1/8, with AX groove
- 2 API 3 1/8, with RX-35 groove
- 3 API 4 1/16, with AX groove
- 4 API 4 1/16, with BX-155 groove
- 6 API 3 1/8, with BX-154 groove
- 8 API 4 1/16, with BX-155 groove

##### 10K/15K PSI MODELS ONLY

- 1 API 3 1/16, with AX groove
- 2 API 3 1/16, with BX-154 groove
- 3 API 4 1/16, with AX groove
- 4 API 4 1/16, with RX-39

#### NOTE:

Specifications reflect standard product, improved performance / mechanical options available.

Modifications may alter specs, consult factory for more information.